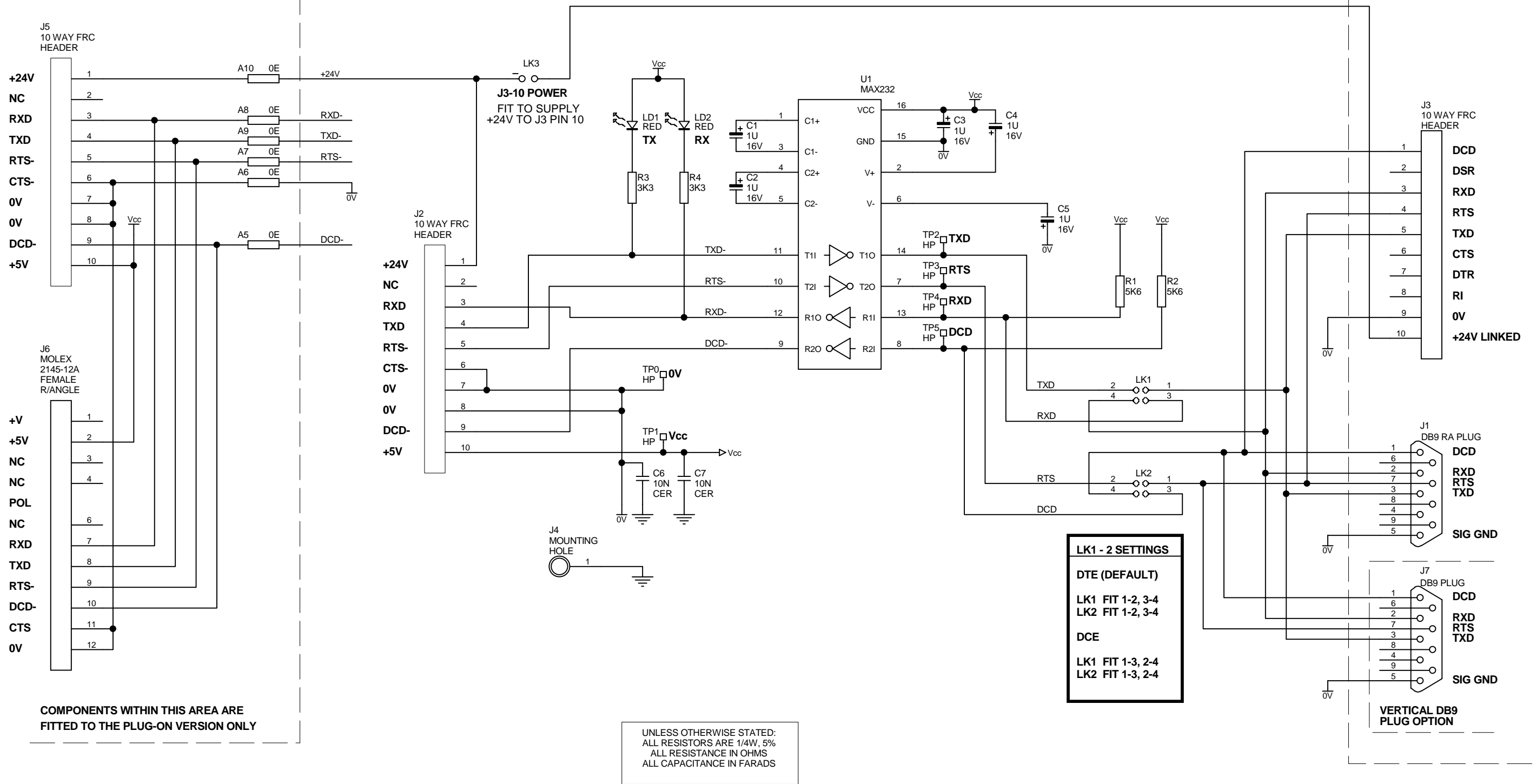


TTL

RS232



COMPONENTS WITHIN THIS AREA ARE FITTED TO THE PLUG-ON VERSION ONLY

UNLESS OTHERWISE STATED:  
ALL RESISTORS ARE 1/4W, 5%  
ALL RESISTANCE IN OHMS  
ALL CAPACITANCE IN FARADS

**LK1 - 2 SETTINGS**

**DTE (DEFAULT)**  
LK1 FIT 1-2, 3-4  
LK2 FIT 1-2, 3-4

**DCE**  
LK1 FIT 1-3, 2-4  
LK2 FIT 1-3, 2-4

5-Sep-2000  
08:36:29

**CONFIDENTIAL:** THIS DOCUMENT MUST NOT BE COPIED NOR THE CONTENTS PASSED ON TO ANY THIRD PARTY WITHOUT THE CONSENT OF THE COMPANY.

ISS/REV	AMENDMENTS	ECO	DRN	CHKD	AUTH	APVD	DATE
1	ORIGINAL	---	GEL				21-2-00

**F3200  
CMOS/TTL - RS232 ADAPTOR BOARD  
CIRCUIT DIAGRAM**



211 MACES ROAD, CHRISTCHURCH 8006, NZ  
P.O. BOX 19-545, CHRISTCHURCH 8030, NZ

SIZE	DRAWING NUMBER	SHEET NUMBER	ISS/REV	PART NUMBER
A3	1931-110	1 of 1	1	PA0868