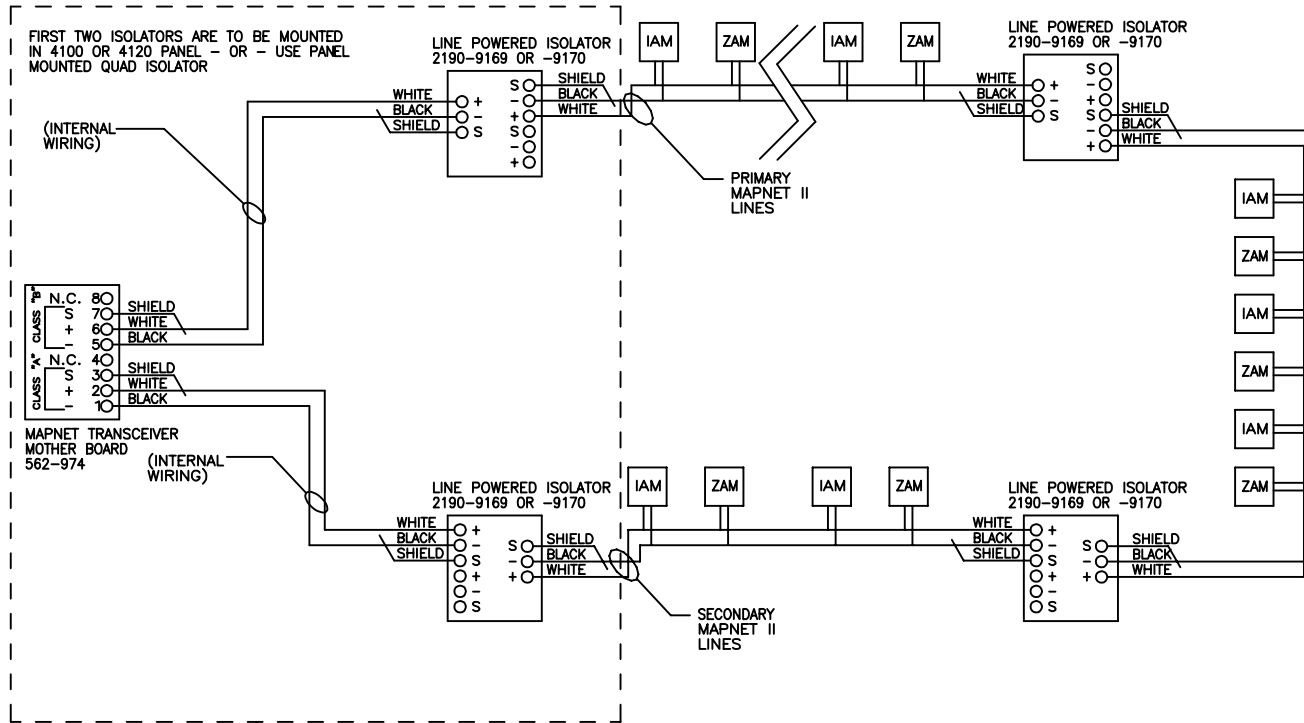


STYLE 6 (CLASS A) WIRING FOR 2190-9169, -9170 LINE POWERED ISOLATORS

SIZE	841-804	
DWG NO.		
F	SJ150	
K	SK515	
R	SL514	



DASHED LINES INDICATES 4100 OR 4120 CABINET

NOTES:

1. MAXIMUM LINE LENGTH IS 2500 FT. TOTAL.
2. ALL MAPNET WIRING IS 18 AWG TWISTED SHIELDED WIRE.
3. FOR MORE THAN FOUR ISOLATORS, AVAILABLE ADDRESSES ARE REDUCED BY SIX FOR EACH ISOLATOR OVER FOUR.
4. ONLY MAPNET LINES SHOWN. FOR ZAM POWER WIRING, REFER TO OTHER PAGES OF THIS WIRING DIAGRAM.
5. EACH ISOLATOR DRAWS 9 mA OF MAPNET POWER.
6. SEE INSTALLATION INSTRUCTIONS 574-674.

REVISIONS				
REV	DESCRIPTION	DATE	BY	CHECKED
A	ISSUED FOR GENERAL INFORMATION	23/07/01	G.Fiala	
REFERENCE DRAWINGS - TITLES				
1				
2				
3				

**Simplex**  
INTERNATIONAL PTY. LTD.

HEAD OFFICE:  
140 OLD PITTSWATER RD  
BROOKVALE, 2100  
N.S.W. AUSTRALIA

ACN : 008 435 443  
PHONE: 02 9466 2333  
FAX : 02 9939 2623

IT IS THE ELECTRICAL CONTRACTORS RESPONSIBILITY TO VERIFY OVERALL DIMENSIONS, CABLE ENTRIES AND SITE ACCESS FOR THE POSITIONING OF ALL EQUIPMENT.

COPYRIGHT © SIMPLEX INTERNATIONAL PTY. LTD. THIS DRAWING AND DESIGNS INCORPORATED ARE THE PROPERTY OF SIMPLEX INTERNATIONAL AND MUST NOT BE REPRODUCED WITHOUT THE WRITTEN PERMISSION OF SIMPLEX INTERNATIONAL P/L

DESIGNED G.Fiala	CLIENT	DRAWING NUMBER 841-804-39
DRAWN MVL	DRAWING TITLE 4100 FIELD WIRING DIAGRAM MAPNET II DEVICES	SHEET SIZE A4
CHECKED	PROJECT FIELD WIRING DIAGRAM	ISSUE A
DATE 23/07/01	SCALE NTS	DRAWING STATUS INTERNAL
		FOREIGN NUMBER 84180439

DWG LOCATION : C:\CAD FILES\Projects\MS\F\W 23/07/01 9:01 RE-PLOT DATE :

DWG NAME : 84180439.dwg  
DWG DATE : 23/07/01 8:57