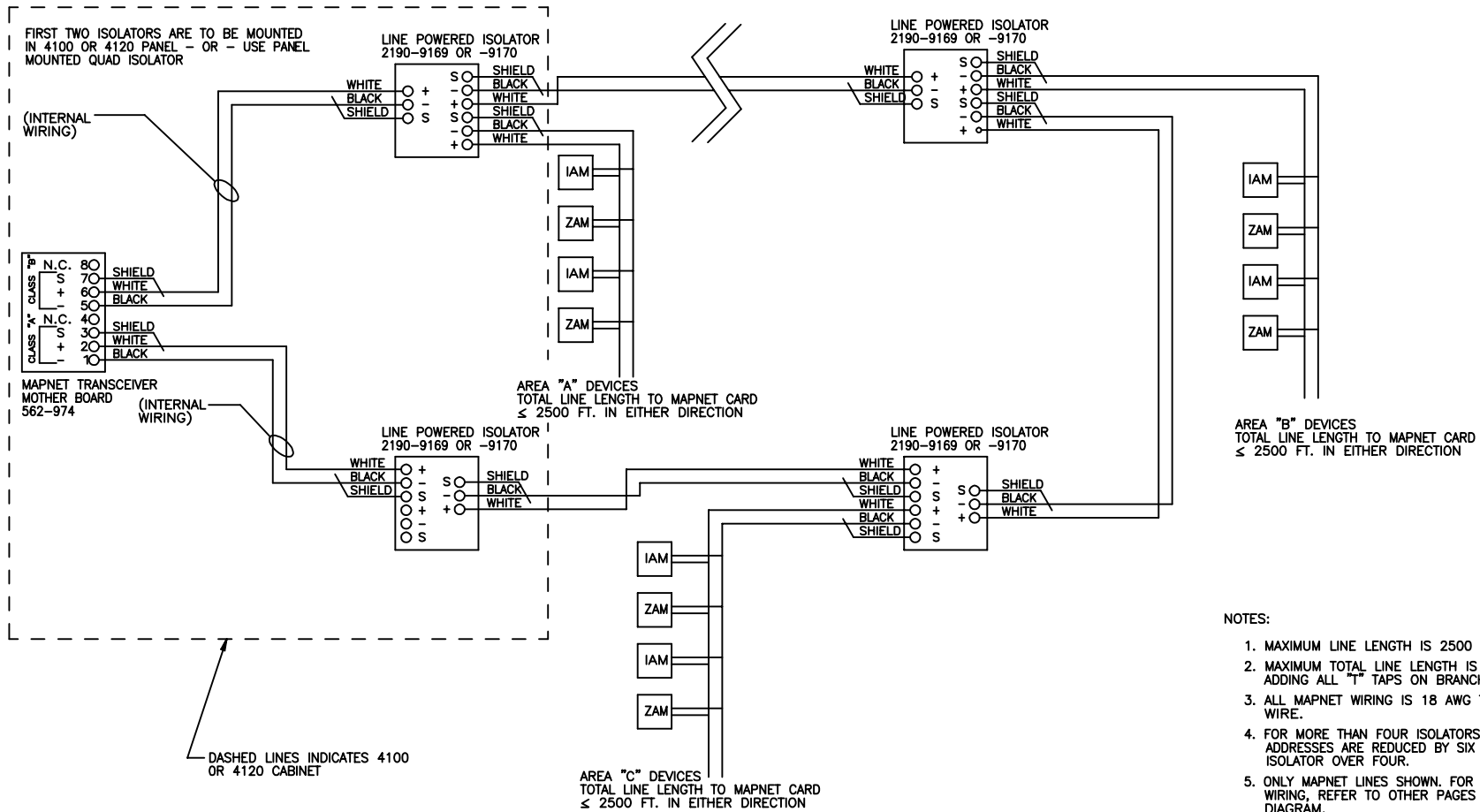


STYLE 4 (CLASS B) WIRING FOR 2190-9169, -9170 LINE POWERED ISOLATORS

SIZE	A 841-804	
F	SJ150	
K	SK515	
R	SL514	



- NOTES:
1. MAXIMUM LINE LENGTH IS 2500 FT. TOTAL.
 2. MAXIMUM TOTAL LINE LENGTH IS 10,000 FEET WHEN ADDING ALL "T" TAPS ON BRANCH CIRCUITS.
 3. ALL MAPNET WIRING IS 18 AWG TWISTED SHIELDED WIRE.
 4. FOR MORE THAN FOUR ISOLATORS, AVAILABLE ADDRESSES ARE REDUCED BY SIX FOR EACH ISOLATOR OVER FOUR.
 5. ONLY MAPNET LINES SHOWN. FOR ZAM POWER WIRING, REFER TO OTHER PAGES OF THIS WIRING DIAGRAM.
 6. EACH ISOLATOR DRAWS 9 mA OF MAPNET POWER.
 7. SEE INSTALLATION INSTRUCTIONS 574-674.

REVISIONS				
ISSUE	DESCRIPTION	DATE	BY	CHECKED
A	ISSUED FOR GENERAL INFORMATION	23/07/01	G.Fiala	
REFERENCE DRAWINGS - TITLES				
1				
2				
3				

Simplex
INTERNATIONAL PTY. LTD.

HEAD OFFICE:
140 OLD PITTSWATER RD
BROOKVALE, 2100
N.S.W., AUSTRALIA

ACN : 008 435 443
PHONE: 02 9466 2333
FAX : 02 9939 2623

IT IS THE ELECTRICAL CONTRACTORS RESPONSIBILITY TO VERIFY OVERALL DIMENSIONS, CABLE ENTRIES AND SITE ACCESS FOR THE POSITIONING OF ALL EQUIPMENT.

COPYRIGHT © SIMPLEX INTERNATIONAL PTY. LTD. THIS DRAWING AND DESIGNS INCORPORATED ARE THE PROPERTY OF SIMPLEX INTERNATIONAL AND MUST NOT BE REPRODUCED WITHOUT THE WRITTEN PERMISSION OF SIMPLEX INTERNATIONAL P/L

DESIGNED G.Fiala	CLIENT	DRAWING NUMBER 841-804-40
DRAWN MVL	DRAWING TITLE 4100 FIELD WIRING DIAGRAM MAPNET II DEVICES	SHEET SIZE A4
CHECKED	DATE 23/07/01	ISSUE A
SCALE NTS	PROJECT FIELD WIRING DIAGRAM	DRAWING STATUS INTERNAL
		FOREIGN NUMBER 84180440

DWG LOCATION : C:\CAD FILES\Projects\MS\F\W\ 23/07/01 9:23
 DWG NAME : 84180440.dwg
 DWG DATE : 23/07/01 9:17
 PLOT DATE :
 RE-PLOT DATE :