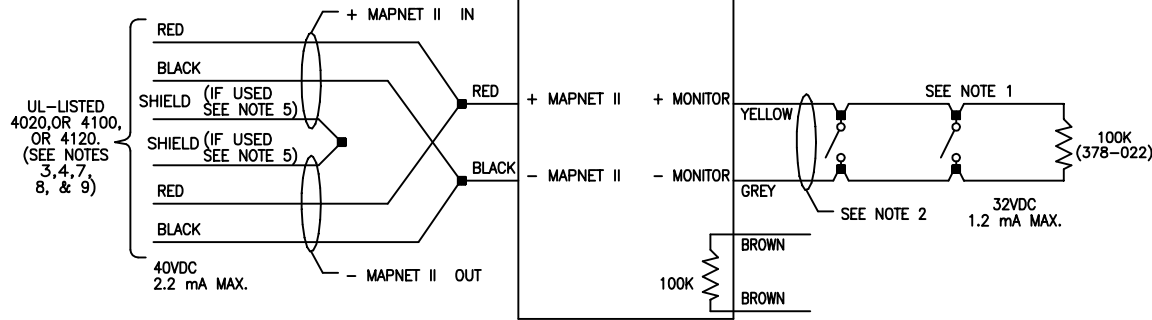


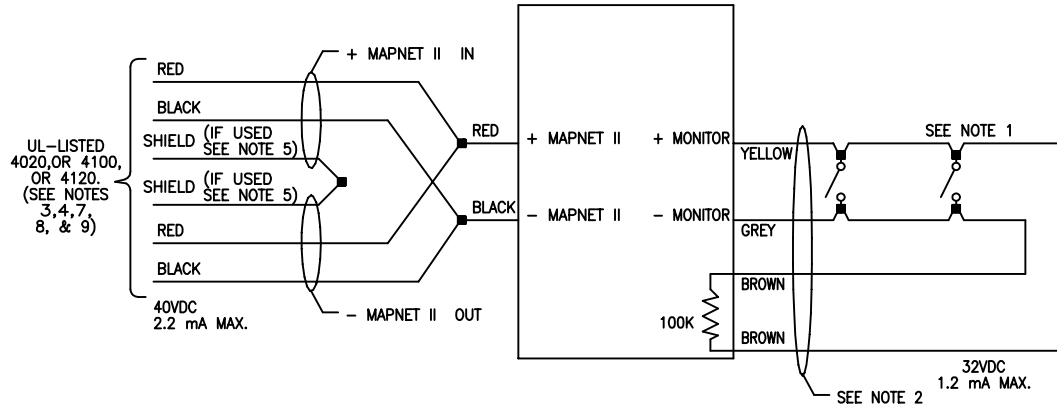
STYLE 4 (CLASS B) WIRING FOR 2190-9172 OR 2190-9172A  
SUPERVISED, INDIVIDUAL ADDRESSABLE MODULE

SIZE	DWG NO.	
A	841-804	
G	SJ843	
K	SK515	
M	SK714	
R	SL514	

USING OFF-BOARD E.O.L. RESISTOR



USING ON-BOARD E.O.L. RESISTOR



NOTES:

- ONLY N.O. DRY CONTACTS ARE ALLOWED.
- MAXIMUM WIRE LENGTH (NO. 18 AWG) IS 400 FT.
- A MAXIMUM OF 85 SUPERVISED IAMS ARE ALLOWED ON A MAPNET II CHANNEL. (EACH IAM USES A CAPACITY OF 1.5 MAPNET II DEVICES).
- THE 4100 OR 4120 MUST HAVE A 562-974 MAPNET II POWER SUPPLY BOARD WHICH IS REV. E OR LATER AND A 562-976 MAPNET II TRANSCIVER BOARD WHICH IS REV. F OR LATER.
- WIRE NUT, SPLICE, OR SOLDER THE SHIELD WIRES.
- REFER TO INSTALLATION INSTRUCTIONS 574-675.
- MAXIMUM ALLOWABLE LINE RUN FROM 4020 OR 4100 OR 4120 TO FARTHEST DEVICE, NOT TO EXCEED 2500 FEET.
- MAXIMUM TOTAL WIRE (INCLUDING ALL T-TAPS) ON CIRCUIT FROM 4020 OR 4100, OR 4120 NOT TO EXCEED 10,000 FEET.
- FOR MAXIMUM VOLTAGE DROP, ETC., REFER TO STR SALES ENGINEERING'S 4020 OR 4100 OR 4120 FIELD WIRING GUIDE.

REVISIONS				
REV	DESCRIPTION	DATE	BY	CHECKED
A	ISSUED FOR GENERAL INFORMATION	23/07/01	G.Fiala	
REFERENCE DRAWINGS - TITLES				
1				
2				
3				

**Simplex**  
INTERNATIONAL PTY. LTD.

HEAD OFFICE:  
140 OLD PITTSWATER RD  
BROOKVALE 2100  
N.S.W. AUSTRALIA

ACN : 008 435 443  
PHONE: 02 9466 2333  
FAX : 02 9939 2623

IT IS THE ELECTRICAL CONTRACTORS RESPONSIBILITY TO VERIFY OVERALL DIMENSIONS, CABLE ENTRIES AND SITE ACCESS FOR THE POSITIONING OF ALL EQUIPMENT.

COPYRIGHT © SIMPLEX INTERNATIONAL PTY. LTD. THIS DRAWING AND DESIGNS INCORPORATED ARE THE PROPERTY OF SIMPLEX INTERNATIONAL AND MUST NOT BE REPRODUCED WITHOUT THE WRITTEN PERMISSION OF SIMPLEX INTERNATIONAL P/L

DESIGNED G.Fiala	CLIENT	DRAWING NUMBER 841-804-41
DRAWN MVL	DRAWING TITLE 4100 FIELD WIRING DIAGRAM MAPNET II DEVICES	SHEET SIZE A4
CHECKED	PROJECT FIELD WIRING DIAGRAM	ISSUE A
DATE 23/07/01	SCALE NTS	DRAWING STATUS INTERNAL
		FOREIGN NUMBER 84180441