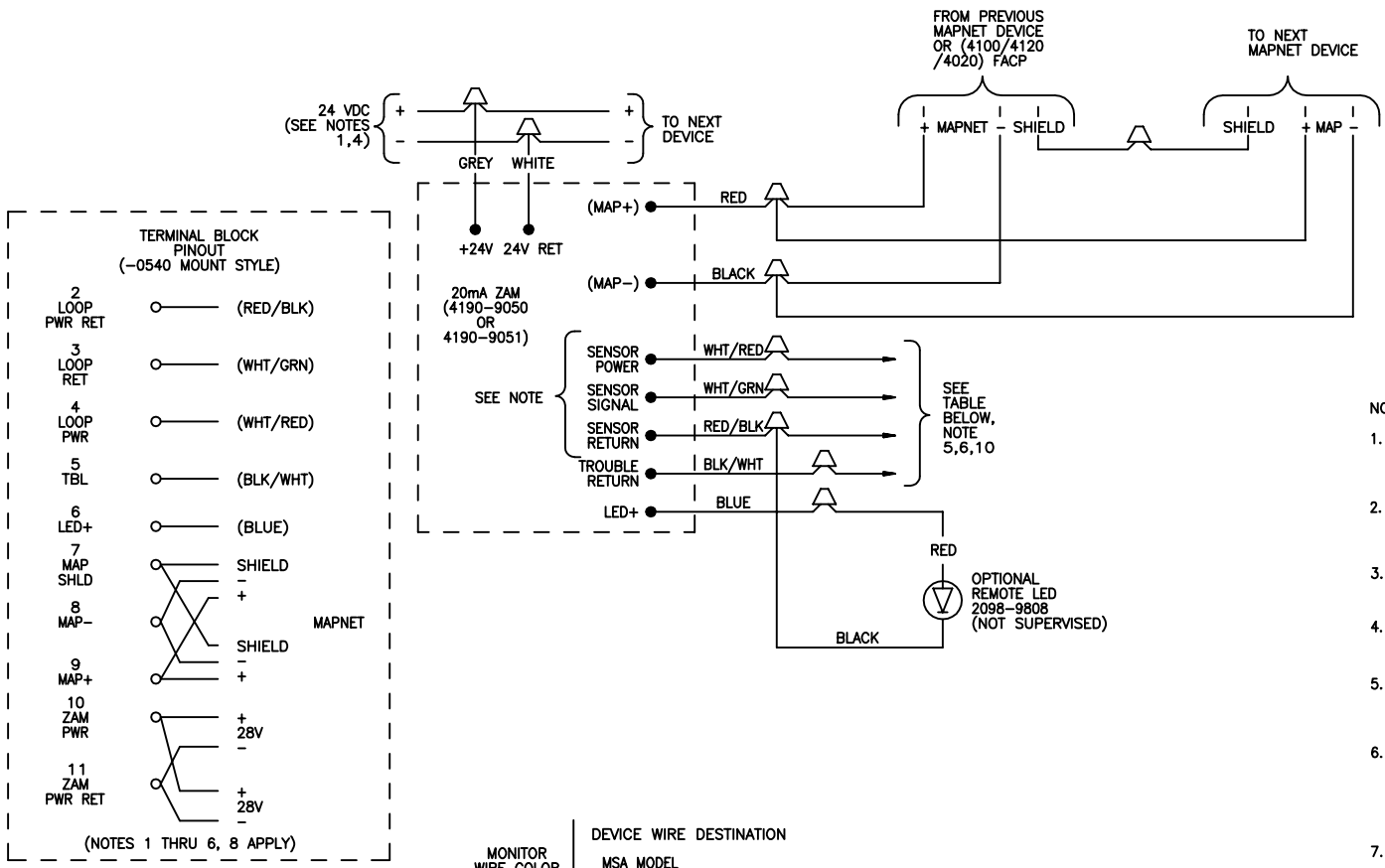


DWG LOCATION : C:\CAD FILES\Projects\MS\F\W\PLOT DATE : 23/07/01 9:51  
 RE-PLOT DATE :

DWG NAME : 84180444.dwg  
 DWG DATE : 23/07/01 9:48

SIZE	A 841-804	
Q	SL292	
R	SL514	
S	SM467	

4190 (-9050, -9051), 4100-0540, AND 4120-0540 20mA MONITOR ZAM,  
 STYLE 4 (CLASS B)



- NOTES:
1. MAPNET II LINES ARE TO BE #18 AWG TWISTED SHIELDED PAIR (CONSULT STR SALES ENGINEERING FOR EXCEPTIONS). 24VDC WIRING TO BE MINIMUM #18 AWG, OR TO LOCAL CODE.
  2. MAXIMUM ALLOWABLE LINE RUN FROM PANEL TO FARTHEST DEVICE IS 2500 FEET MAXIMUM ALLOWABLE RESISTANCE IN THIS LINE RUN IS 35 OHMS.
  3. TOTAL WIRE ON THIS MAPNET II CIRCUIT, INCLUDING T-TAPS, NOT TO EXCEED 10,000 FEET MAXIMUM DEVICES IS 127.
  4. FOR MAXIMUM VOLTAGE DROP, ETC., REFER TO STR SALES ENGINEERING'S 4100/4120/4020 FIELD WIRING GUIDES.
  5. SENSOR (POWER, SIGNAL, RETURN) WIRING INHERENTLY SUPERVISED IF USED TO GENERATE 20mA SIGNAL. MAXIMUM LINE RESISTANCE IS 27 OHMS.
  6. SUPERVISED WIRING OPTION. IF SENSOR USES THE TROUBLE RELAY CONNECTION, THEN CUTOFF & REMOVE ON-BOARD VERTICAL-MOUNT RESISTOR AND ADD STR P/N 733-866 END-OF-LINE RESISTOR, THAT MUST BE INSTALLED AT THE SENSOR. SEE INSTALLATION INSTRUCTIONS.
  7. USE WIRE NUTS TO INDIVIDUALLY TERMINATE UNUSED WIRES. WIRE NUT, SPLICE, OR SOLDER THE MAPNET SHIELD WIRES.
  8. MAXIMUM CURRENT PER 20mA LOOP MONITOR IS 28mA; ADD AN ADDITIONAL 3mA IN ALARM IF REMOTE LED IS USED.
  9. MAXIMUM VOLTAGE ON MAPNET LINES IS 40V; ALL OTHERS ARE 32V.
  10. TWISTED PAIR WIRING REQUIRED, SEE THE TABLE.

MONITOR WIRE COLOR	DEVICE WIRE DESTINATION
	MSA MODEL
	CHILLGARD RT
WHT/RED	J29-2 (TBL-COM) [PAIR 2]
WHT/GRN	J17-2 (I+) [PAIR 1]
RED/BLK	J17-3 RTN) [PAIR 1]
BLK/WHT	J29-3 (TBL-NC) [PAIR 2]

TERMINAL BLOCK PINOUT (-0540 MOUNT STYLE)	
2 LOOP PWR RET	(RED/BLK)
3 LOOP RET	(WHT/GRN)
4 LOOP PWR	(WHT/RED)
5 TBL	(BLK/WHT)
6 LED+	(BLUE)
7 MAP SHLD	SHIELD
8 MAP-	SHIELD
9 MAP+	SHIELD
10 ZAM PWR	+ 28V
11 ZAM PWR RET	- 28V

(NOTES 1 THRU 6, 8 APPLY)

REVISIONS			
REV	DESCRIPTION	DATE	CHECKED
A	ISSUED FOR GENERAL INFORMATION	23/07/01	G.Fiala
REFERENCE DRAWINGS - TITLES			
1			
2			
3			

**Simplex**  
 INTERNATIONAL PTY. LTD.

HEAD OFFICE:  
 140 OLD PITWATER RD  
 BROOKVALE 2100  
 N.S.W.  
 AUSTRALIA

ACN : 008 435 443  
 PHONE: 02 9466 2333  
 FAX : 02 9939 2623

IT IS THE ELECTRICAL CONTRACTORS RESPONSIBILITY TO VERIFY OVERALL DIMENSIONS, CABLE ENTRIES AND SITE ACCESS FOR THE POSITIONING OF ALL EQUIPMENT.

COPYRIGHT © SIMPLEX INTERNATIONAL PTY. LTD. THIS DRAWING AND DESIGNS INCORPORATED ARE THE PROPERTY OF SIMPLEX INTERNATIONAL AND MUST NOT BE REPRODUCED WITHOUT THE WRITTEN PERMISSION OF SIMPLEX INTERNATIONAL P/L

DESIGNED G.Fiala	CLIENT	DRAWING NUMBER 841-804-44
DRAWN MVL	DRAWING TITLE	SHEET SIZE A4
CHECKED	4100 FIELD WIRING DIAGRAM MAPNET II DEVICES	ISSUE A
DATE 23/07/01	PROJECT FIELD WIRING DIAGRAM	DRAWING STATUS INTERNAL
SCALE NTS		FOREIGN NUMBER 84180444