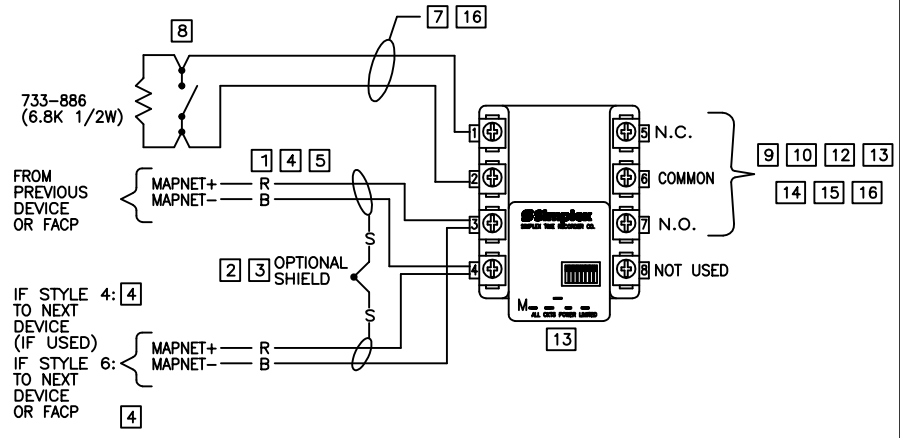


# WIRING FOR THE 2190-9173 2 POINT I/O

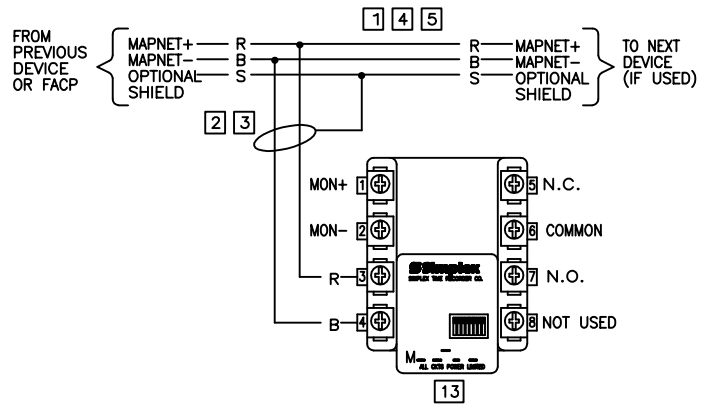
SIZE	DWG NO.
A	841-804
V	SN034
W	SN237



**NOTES:**

- 1 MAPNET LINES ARE TO BE #18 TWISTED PAIR, SHIELD RECOMMENDED.
- 2 IF SHIELD IS PRESENT, IT SHOULD BE CONNECTED TO THE OUTGOING MAPNET SHIELD TO PROVIDE A CONTINUOUS SHIELD OVER THE LENGTH OF THE MAPNET CHANNEL. SHIELD SHOULD BE INSULATED FROM ELECTRICAL BOX.
- 3 WIRE NUT, SPLICE, OR SOLDER THE SHIELD WIRES.
- 4 MAXIMUM ALLOWABLE LINE RUN FROM FACP TO FARTHEST DEVICE NOT TO EXCEED 2,500 FEET.
- 5 MAXIMUM TOTAL WIRE (INCLUDING ALL T-TAPS) ON CURCUIT, FROM FACP, NOT TO EXCEED 10,000 FEET.
- 6. MAXIMUM QUANTITY OF ADDRESSES PER MAPNET CIRCUIT: 127 (THIS DEVICE TAKES 2 ADDRESSES).
- 7 MAXIMUM WIRE LENGTH (#18 AWG) IS 500 FEET.
- 8 ONLY N.O. DRY CONTACTS ARE ALLOWED ON INPUT CIRCUIT.
- 9 CONTRACTOR WIRING TO RELAY CONTACTS IS UNSUPERVISED. WIRE TO LOCAL CODE. 14 AWG MINIMUM RECOMMENDED. 12 AWG MAXIMUM.

**ALTERNATE MAPNET WIRING METHOD;  
STYLE 4 FOR THE 2190-9173**



- 10 RELAY CONTACTS RATED FOR 2A (1A FOR INDUCTIVE LOAD), 30 VDC. RELAY CONTACTS RATED .5A (.25A FOR INDUCTIVE LOAD), 120 VAC (NON POWER-LIMITED). FOR POWER-LIMITED OPERATION, POWER MUST BE PROVIDED FROM F.A.C.P. OR POWER-LIMITED POWER SUPPLY LISTED FOR FIRE PROTECTIVE ALARM USE.
- 11. SEE INSTALLATION INSTRUCTIONS 574-995.
- 12 WHEN CONNECTED TO A NON POWER-LIMITED SOURCE, THE WIRING MUST MAINTAIN A MINIMUM 1/4 INCH SEPARATION FROM MAPNET AND INPUT CIRCUIT WIRING.
- 13 WHEN USED WITH NON POWER-LIMITED SOURCE, THE "POWER-LIMITED" WIRING INDICATION ON THE DEVICE LABEL MUST BE OBLITERATED.
- 14 IF AC IS USED ON RELAY TERMINALS, ADD LABEL 526-831 TO ELECTRICAL BOX COVER TO INDICATE HIGH VOLTAGE.
- 15 IF AC IS USED ON RELAY TERMINALS, ELECTRICAL BOX AND BRACKET MUST BE GROUNDED TO SAFETY GROUND.
- 16 IF AC IS USED ON RELAY TERMINALS, INPUT CIRCUIT MUST BE WIRED WITH TWISTED SHIELDED WIRE, IF WIRE IS RUN IN THE SAME CONDUIT. CONNECT SHIELD OF INPUT CIRCUIT TO GROUNDED ELECTRICAL BOX.
- 17. DO NOT MOUNT DEVICE WHERE IT WILL EXPERIENCE SHOCKS GREATER THAN 60Gs, VIBRATION GREATER THAN 2.5mm (10 TO 55 Hz DOUBLE AMPLITUDE), OR MAGNETIC FIELD GREATER THAN 7000A/m.

REVISIONS				
REV	DESCRIPTION	DATE	BY	CHECKED
A	ISSUED FOR GENERAL INFORMATION	23/07/01	G.Fiala	
REFERENCE DRAWINGS - TITLES				
1				
2				
3				

**Simplex**  
INTERNATIONAL PTY. LTD.

HEAD OFFICE:  
140 OLD PITTSWATER RD  
BROOKVALE 2100  
N.S.W. AUSTRALIA

ACN : 008 435 443  
PHONE: 02 9466 2333  
FAX : 02 9939 2623

IT IS THE ELECTRICAL CONTRACTORS RESPONSIBILITY TO VERIFY OVERALL DIMENSIONS, CABLE ENTRIES AND SITE ACCESS FOR THE POSITIONING OF ALL EQUIPMENT.

COPYRIGHT © SIMPLEX INTERNATIONAL PTY. LTD. THIS DRAWING AND DESIGNS INCORPORATED ARE THE PROPERTY OF SIMPLEX INTERNATIONAL AND MUST NOT BE REPRODUCED WITHOUT THE WRITTEN PERMISSION OF SIMPLEX INTERNATIONAL P/L

DESIGNED G.Fiala	CLIENT	DRAWING NUMBER 841-804-54
DRAWN MVL	DRAWING TITLE 4100 FIELD WIRING DIAGRAM MAPNET II DEVICES	SHEET SIZE A4
CHECKED	DATE 23/07/01	ISSUE A
SCALE NTS	PROJECT FIELD WIRING DIAGRAM	DRAWING STATUS INTERNAL
		FOREIGN NUMBER 84180454

DWG LOCATION : C:\CAD FILES\Projects\MS\F\W RE-PLOT DATE : 23/07/01 10:36  
 DWG NAME : 84180454.dwg  
 DWG DATE : 23/07/01 10:33