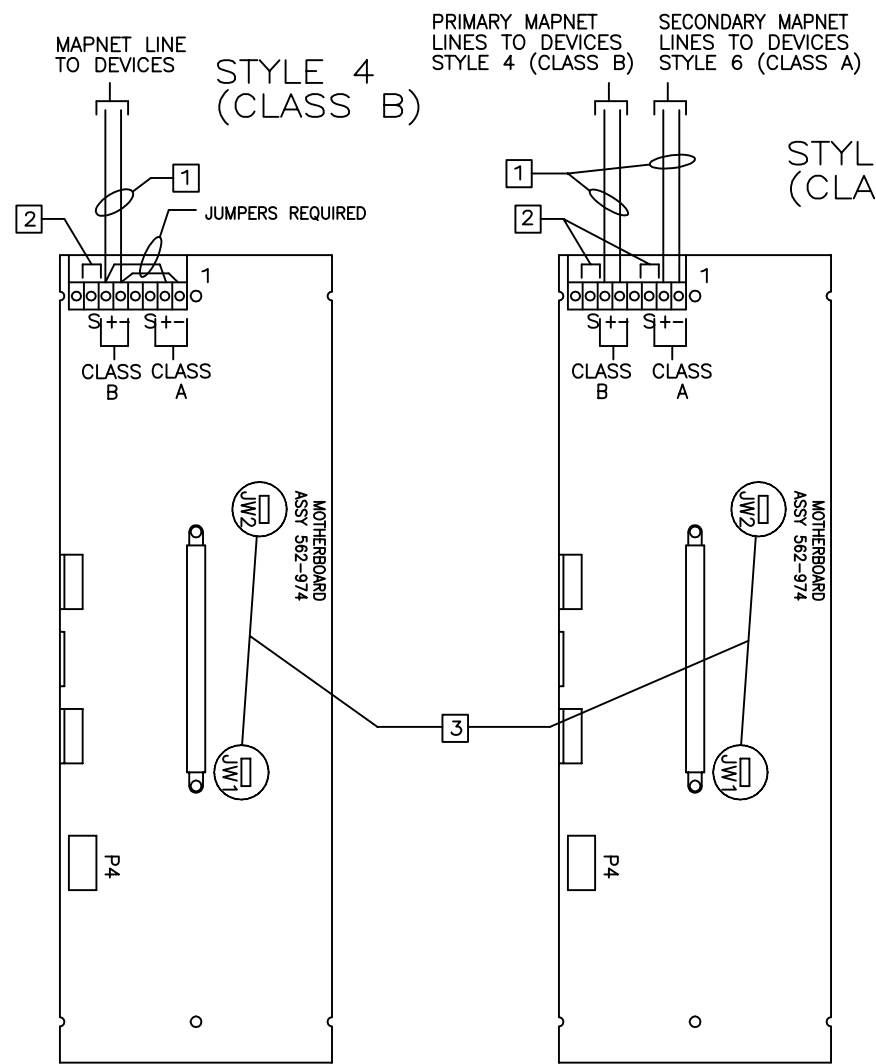


SIZE	A	DWG NO.	841-731
AL	SL393		
AM	SL682		

ADDRESSABLE MAPNET



- NOTES:
- ALL WIRING TO BE MINIMUM 1.5 mm² MAXIMUM WIRE RUN NOT TO EXCEED 1200 mts.
 - TB1-3 OR TB1-7 ARE INTERNALLY CONNECTED TO EARTH AND ARE THE NORMAL TERMINATION POINT FOR MAPNET SHIELDS. SOME AUDIO SYSTEMS MAY REQUIRE MAPNET SHIELDS TO BE TIED TO SYSTEM OV TO MINIMIZE MAPNET CROSS-TALK TO SPEAKERS.
 - NORMAL CONFIGURATION FOR ZAMS IS JW-1 INSTALLED AND JW-2 REMOVED WHEN ISOLATED DEVICES (IAMS) ARE USED, REMOVE JW-1 AND INSTALL JW-2.
 - ALL WIRING IS SUPERVISED.
 - MAPNET COMMUNICATION POWER-
40 VDC
AT 0.5 AMPS
3333 BAUD
 - REFER TO INSTRUCTIONS PACKAGED WITH EACH ADDRESSABLE DEVICE FOR CONNECTIONS.
 - WHEN WIRING LEAVES THE BUILDING, OVERVOLTAGE PROTECTORS ARE REQUIRED; USE 2081-9044; ONE IS INSTALLED WHERE IT LEAVES THE BUILDING AND ANOTHER IS INSTALLED WHERE IT ENTERS THE NEXT BUILDING. ONLY 4 SUPPRESSORS TOTAL ARE ALLOWED ON ONE MAPNET CHANNEL.
 - REFER TO STR SALES ENGINEERING'S 4100 FIELD WIRING GUIDE, AND STR FIELD WIRING DIAGRAM 841-804, FOR WIRING OF MAPNET DEVICES.

TITLE	FIELD WIRING DIAGRAM		
EQUIP	4100		
SIZE	DWG NO.	SHT	
A	841-731	35	

REVISIONS				
REV	DESCRIPTION	DATE	BY	CHECKED
A	ISSUED FOR GENERAL INFORMATION	01/08/01	G.Fiala	
REFERENCE DRAWINGS - TITLES				
1	84173135 - FIELD WIRING DIAGRAM			
2				
3				

Simplex

INTERNATIONAL PTY. LTD.

HEAD OFFICE:
140 OLD PITWATER RD
BROOKVALE
N.S.W. 2100
AUSTRALIA

ACN : 008 435 443
PHONE: 02 9466 2333
FAX : 02 9939 2623

IT IS THE ELECTRICAL CONTRACTORS RESPONSIBILITY TO VERIFY OVERALL DIMENSIONS, CABLE ENTRIES AND SITE ACCESS FOR THE POSITIONING OF ALL EQUIPMENT.

COPYRIGHT © SIMPLEX INTERNATIONAL PTY. LTD. THIS DRAWING AND DESIGNS INCORPORATED ARE THE PROPERTY OF SIMPLEX INTERNATIONAL AND MUST NOT BE REPRODUCED WITHOUT THE WRITTEN PERMISSION OF SIMPLEX INTERNATIONAL P/L

DESIGNED	G.Fiala	CLIENT		DRAWING NUMBER	841A-731-03
DRAWN	MVL	DRAWING TITLE	4100 FIELD WIRING DIAGRAM	SHEET SIZE	A4
CHECKED				ISSUE	A
DATE	01/08/01			DRAWING STATUS	INTERNAL
SCALE	NTS	PROJECT	FIELD WIRING DIAGRAM	FOREIGN NUMBER	84173135

DWG LOCATION : C:\CAD FILES\4100\Field Wiring\ PLOT DATE : 07/09/01 13:29
 RE-PLOT DATE :
 DWG NAME : 841-731-35.dwg
 DWG DATE : 07/09/01 13:28