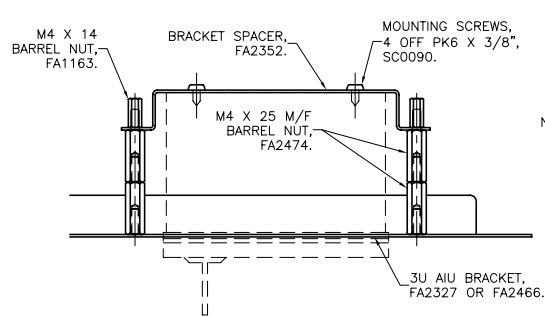
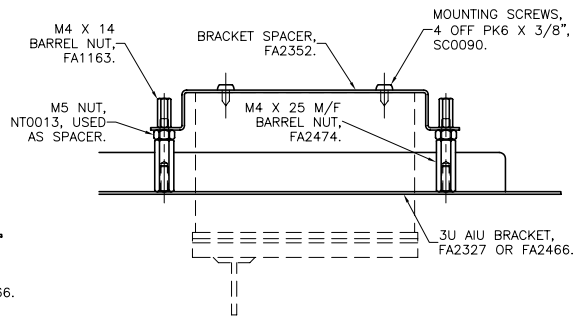


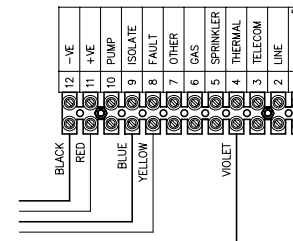
AIU BRACKET ASSEMBLY FOR  
18U, 28U AND 40U RACK CABINETS



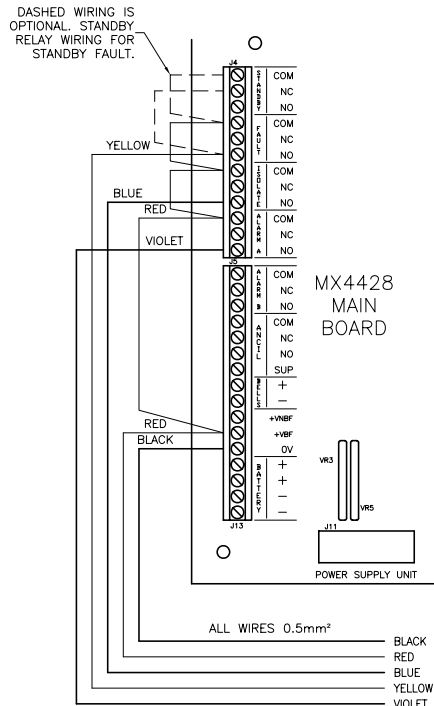
AIU BRACKET ASSEMBLY FOR  
15U RACK CABINETS



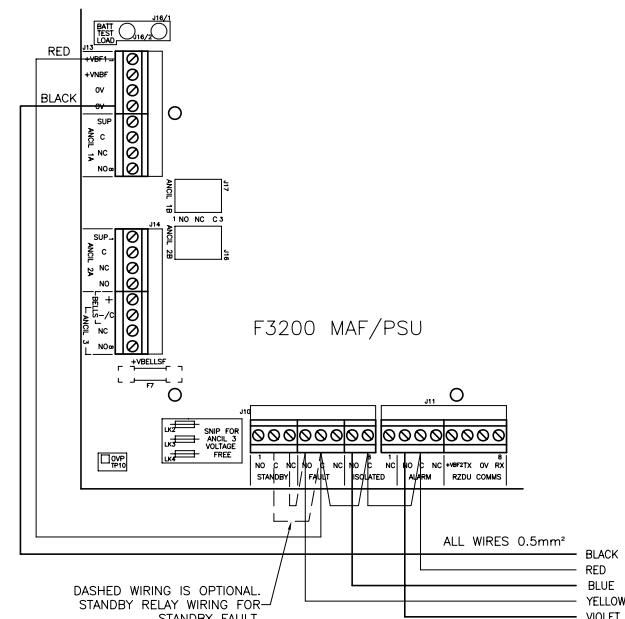
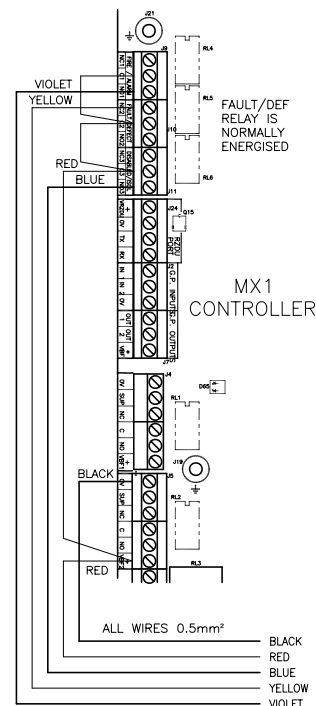
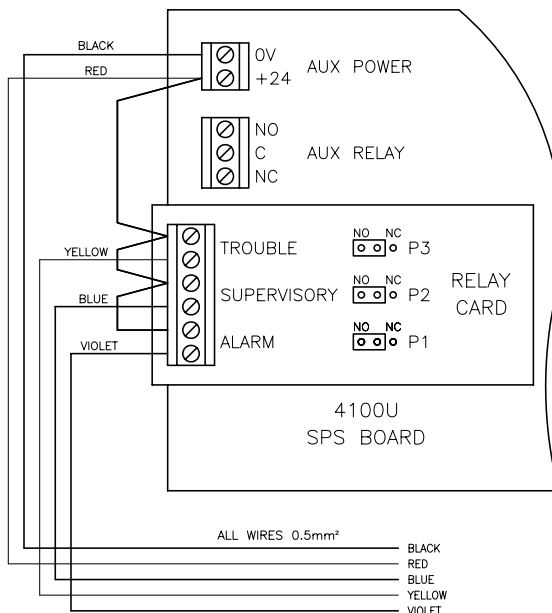
AIU BRACKET ASSEMBLY FOR  
21U RACK CABINETS



TERMINAL BLOCK ON  
BRACKET



ON RELAY CARD  
FIT THE LINKS P1, P2, P3 TO THE NO POSITION  
FOR NORMALLY OPEN CONTACTS.  
TROUBLE = FAULT  
SUPERVISORY = ISOLATE  
THE RELAYS ARE NORMALLY DE-ENERGISED  
AND ENERGISE ON THE RESPECTIVE STATUS.



CONFIDENTIAL: THIS DOCUMENT MUST NOT BE COPIED NOR THE CONTENTS PASSED ON TO ANY THIRD PARTY WITHOUT THE CONSENT OF THE COMPANY.

UNLESS OTHERWISE STATED: ALL DIMENSIONS IN MILLIMETRES. DO NOT SCALE. TOLERANCES ARE TO BE: 1 DECIMAL PLACE  $\pm 0.5$ , 2 DECIMAL PLACES  $\pm 0.3$ , 3 DECIMAL PLACES  $\pm 0.1$

3rd ANGLE PROJECTION

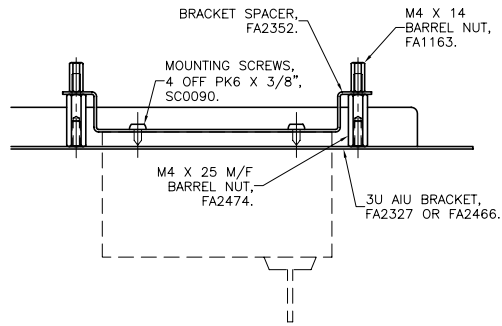
ISS/REV	AMENDMENTS	ECO	DRN	CHKD	AUTH	APVD	DATE
A	ORIGINAL	ESC1309	KJS	GEL	LSC	DP	15-9-08

**tyco** Safety Products  
TYCO SAFETY PRODUCTS  
17 MARY MULLER DRIVE  
P.O. BOX 19545  
CHRISTCHURCH, PH: +64 3 3895096  
NEW ZEALAND. FAX: +64 3 3895938

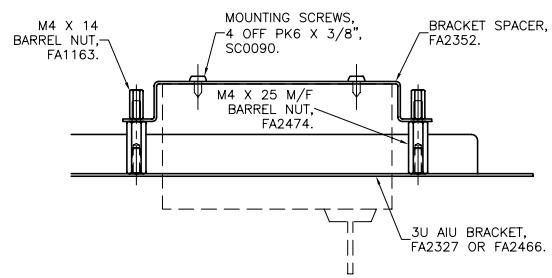
WESTERN AUSTRALIAN  
AIU TO FIRE PANEL  
WIRING AND MOUNTING DETAILS

DRAWING No: 1922-96 SHEET 1 of 2

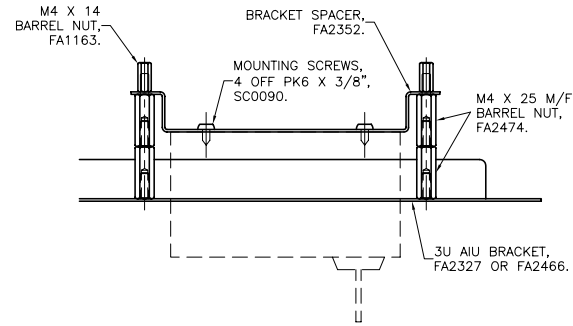
A2 ISS/REV A PART No: LT0316



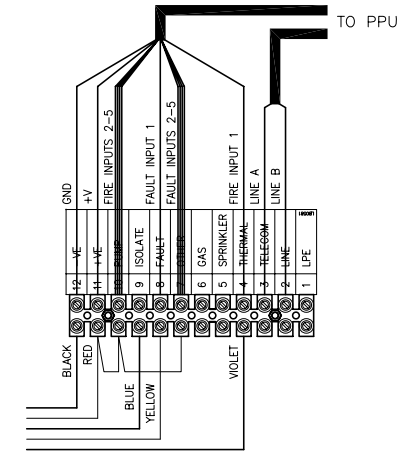
PPU BRACKET ASSEMBLY FOR  
18U, 28U AND 40U RACK CABINETS



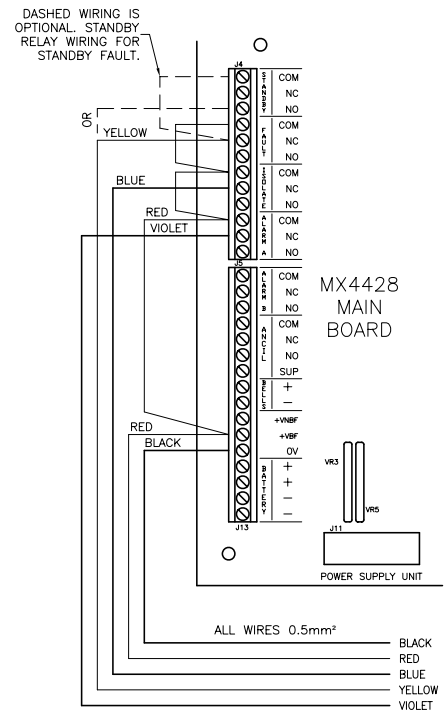
PPU BRACKET ASSEMBLY FOR  
15U RACK CABINETS



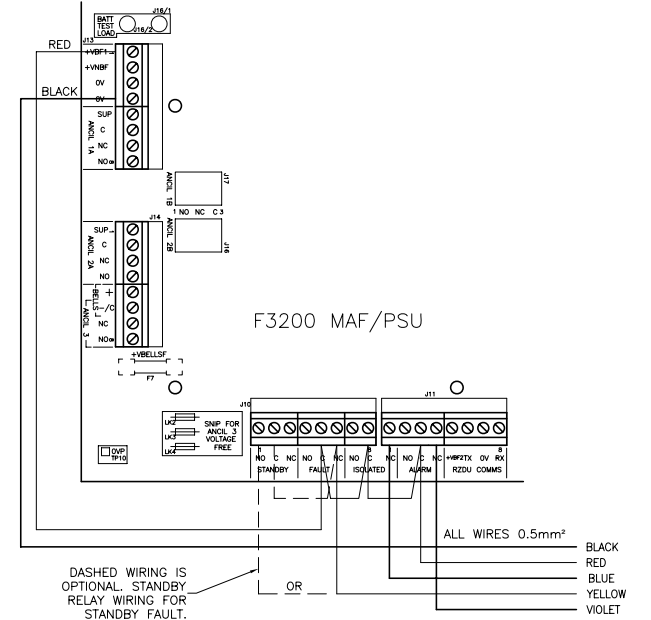
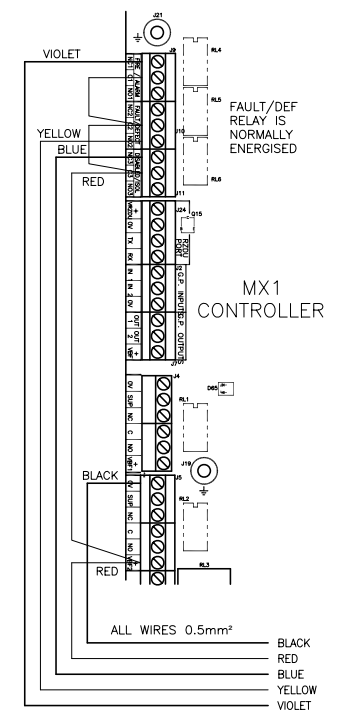
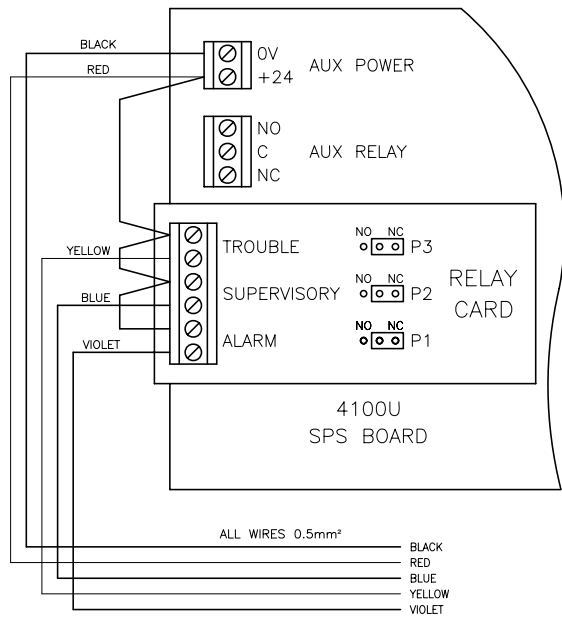
PPU BRACKET ASSEMBLY FOR  
21U RACK CABINETS



TERMINAL BLOCK ON  
BRACKET



ON RELAY CARD  
FIT THE LINKS P1, P2, P3 TO THE NC POSITION FOR NORMALLY CLOSED CONTACTS.  
TROUBLE = FAULT  
SUPERVISORY = ISOLATE  
THE RELAYS ARE NORMALLY DE-ENERGISED AND ENERGISE ON THE RESPECTIVE STATUS.



CONFIDENTIAL: THIS DOCUMENT MUST NOT BE COPIED NOR THE CONTENTS PASSED ON TO ANY THIRD PARTY WITHOUT THE CONSENT OF THE COMPANY.

UNLESS OTHERWISE STATED: ALL DIMENSIONS IN MILLIMETRES. DO NOT SCALE. TOLERANCES ARE TO BE: 1 DECIMAL PLACE ±0.5, 2 DECIMAL PLACES ±0.3, 3 DECIMAL PLACES ±0.1

3rd ANGLE PROJECTION

ISS/REV	AMENDMENTS	ECO	DRN	CHKD	AUTH	APVD	DATE
A	ORIGINAL	ESC1309	KJS	GEL	LSC	DP	15-9-08

**tyco** Safety Products  
TYCO SAFETY PRODUCTS  
17 MARY MULLER DRIVE  
P.O. BOX 19545  
CHRISTCHURCH, PH: +64 3 3895096  
NEW ZEALAND. FAX: +64 3 3895938

QUEENSLAND  
PPU TO FIRE PANEL  
WIRING AND MOUNTING DETAILS

DRAWING No: 1922-96 SHEET 2 of 2

A2 ISS/REV A PART No: LT0316