

# D51MX

## Generation 6 MX Detection Range Duct Sampling Unit

### Features

- // Duct Sampling Unit for MX Addressable Loop
- // Compatible with MX Addressable Loop on SIMPLEX 4100ESi, VIGILANT MX1 and VIGILANT MX4428 panels
- // Pre-wired base for MX814P/PH detector
- // Rugged construction, reliable performance
- // Remote termination for easy installation
- // Sampling tube length 160mm to 1800mm with optional extension

### Description

The D51MX consists of a D51 duct sampling housing fitted with a detector base wired to suit an MX analogue addressable 814P or 814PH photoelectric smoke detector. When fitted with the detector, the DSU is designed to detect smoke in the air passing through an air conditioning duct by extracting some air through the smoke detector. The D51MX is fitted on the outside of the duct to be sampled, allowing easy access for detector servicing and replacement of the dust filters.

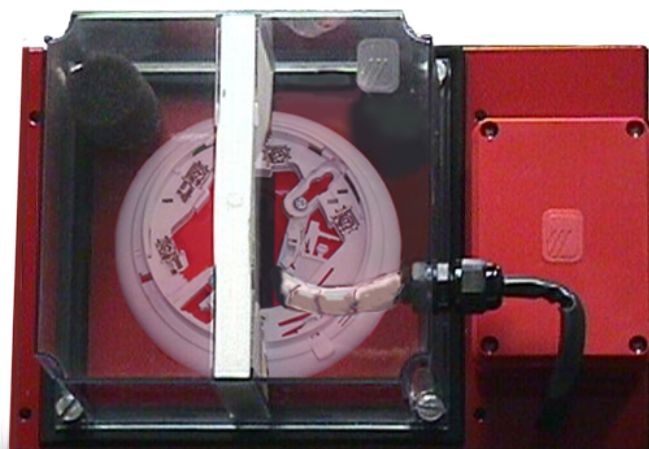
To cater for most duct sizes, a sampling tube extension is available in 3 metre lengths.

The Tyco E500 Mk2 Series Remote Indicator can be used for remote indication of an alarm.

### Installation

#### Mounting D51MX on Duct

- Mark on duct – holes for sampling tubes, 122mm apart.
- Drill 2 holes 24mm in diameter.
- Mount D51MX duct sampling unit oriented as shown.
- Mark on duct – mounting screw holes, drill and fix housing firmly to duct.
- Insert sampling tube extension, tighten holding screw and refit filter.



### Specifications

Operating Voltage <sup>1</sup>	20 to 40Vdc
Quiescent Current	275µA (typ.)
Alarm Current	10mA with LED on
Duct Pressure <sup>2</sup>	-1.15 to +3.0 kPa
Duct air velocity for alarm at 8%Obs/m <sup>2</sup>	1, 2, 4, 8m/s
Sampling Tube Length	160mm minimum
Duct Width (maximum)	1.8m
Remote Indicator	E500 Mk2 Series
Dimensions	
Base & Cover (LWH)	278x190x113 mm
Sampling Tube Pitch	122mm
Duct Holes Required	24mm dia. x 2 places
Ambient Temperature	-10°C to +55°C
Relative Humidity	10% to 95% (n/cond)
ActivFire Listed <sup>3</sup>	afp-1496

#### Part Numbers

D51MX	DSU with MX Base
D51L	Baffle - bag of 10
D51F	Filter - bag of 10
D51T3	3m Sampling Tube
D51K100	End Cap - bag of 10

1. Addressable loop voltage provided by MX CIE.

2. AS 1603.13-1998 test

3. Listed with 814P/814PH

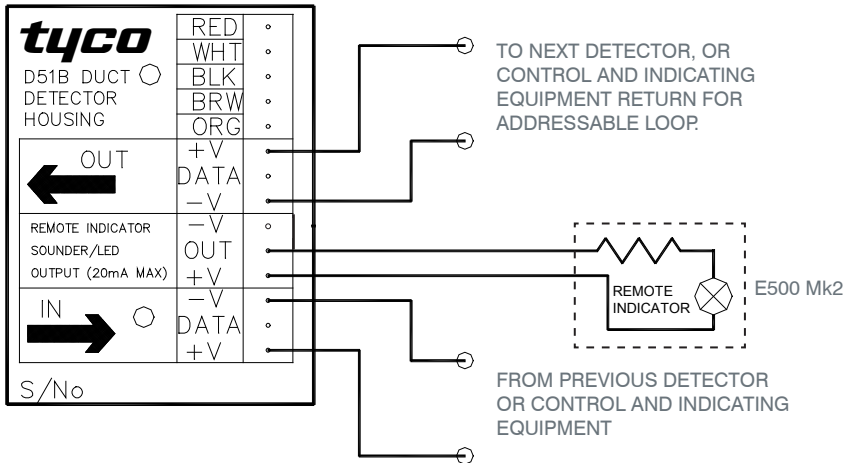
## Wiring

All field wiring terminates in the red termination box to push-fit clamping terminals. Connect field wiring to the terminals as per the drawing.

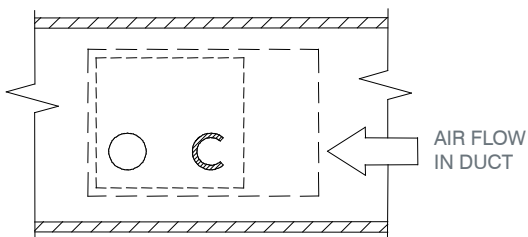
If circuit is:-

**Addressable Spur:** connect last detector to Control and Indicating Equipment return.

**Addressable Line/Spur:** leave last detector 'out' terminals unconnected.

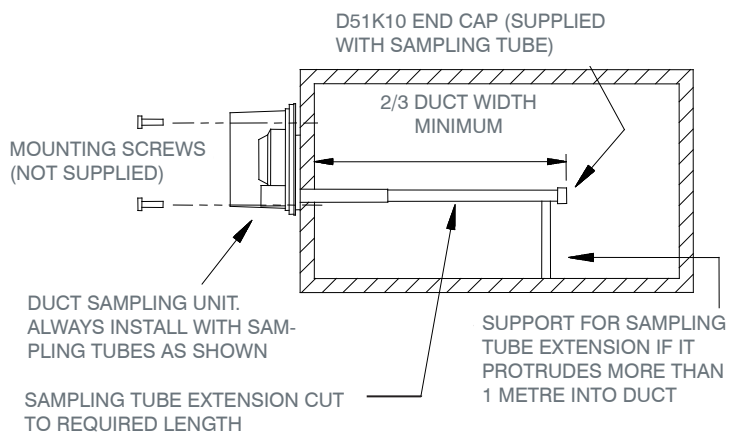


## Sampling Tube Extension (supplied separately)



SECTION THROUGH DUCT.

ONLY ONE SAMPLING TUBE EXTENSION IS REQUIRED. SLOT IN TUBE MUST FACE AIR FLOW AS SHOWN. (HOLDING SCREWS SUPPLIED)



### Australia

Tyco Fire Protection Products  
Level 3, 95 Coventry Street  
Southbank VIC 3006  
Tel : 1300 725 688  
Tel : +61 3 9313 9700  
Email : tfppcustservice.au@tycofp.com

### New Zealand

Tyco Fire Protection Products  
17 Mary Muller Drive  
Hillsborough PO Box 19-545  
Woolston Christchurch 8241  
Tel : +64 9 635 0760  
Email : tsp.sales.nz@tycoint.com