

SNM800

Generation 6 MX Sounder Notification Module

Features

- // Compatible with MX Addressable Loop on SIMPLEX 4100ESi, VIGILANT MX1 and VIGILANT MX4428 panels
- // Addressable switched output with supervised output wiring
- // Optional supervision of external supply
- // LED indication of output operation
- // Common MX module footprint
- // Range of mounting enclosures

Description

The SNM800 MX Addressable Sounder Notification Module provides a switched output that may be used to power sounders, extinguishing devices or other auxiliary equipment from an external supply. The output is activated in response to a command from the Tyco MX Control and Indicating Equipment (CIE).

The wiring to the controlled devices can be supervised for open and short circuit fault conditions and the power supply for the devices can be optionally supervised.

When supervision is required, each output device (sounders, etc.) must have a suitable diode wired in series (if not already contained in the device) so that End of Line (EOL) resistor supervision can be used.

Mounting

The SNM800 is supplied as an open circuit board (PCB) with mounting hardware and EOL resistor and must be fitted in a suitable enclosure. It may be mounted on a gear plate using plastic standoffs, to an M520 Ancillary Cover and K2142 back box, or into a D800 Ancillary Housing. The K2142 mounting box provides a convenient surface mounting enclosure and the M520 Cover is designed to accommodate the SNM800.

Operation

The on-board LED illuminates when the output is activated. It can also be programmed to blink when the SNM800 is polled by the CIE.

Address Setting

The SNM800 is shipped with a default (invalid) address of 255 and must be set to the correct loop address using the 850EMT or MX Service Tool.



Specifications

Loop Voltage ¹	20V to 40Vdc
Quiescent Current	450µA
Operated Current (LED on)	3mA
External Supply	18 to 28.7Vdc
Output Current ² (maximum)	2A
Output EOL	27k Ohm 0.5W
Max. SNM800 per Loop ³	200/250
Ambient Temperature	-25°C to +70°C
Storage Temperature	-40°C to +80°C
Relative Humidity	10% to 95% (non cond.)

Indoor Applications Only

Dimensions (HWD)	61 x 84 x 25 mm
Wire Size (maximum)	2.5sq. mm

Part Numbers

SNM800	SNM800 PCB
517.035.007	M520 Ancillary Cover
517.035.010	K2142 Back Box
547.004.002	DIN Rail Mntg Brkt
557.201.401	D800 Ancillary Housing

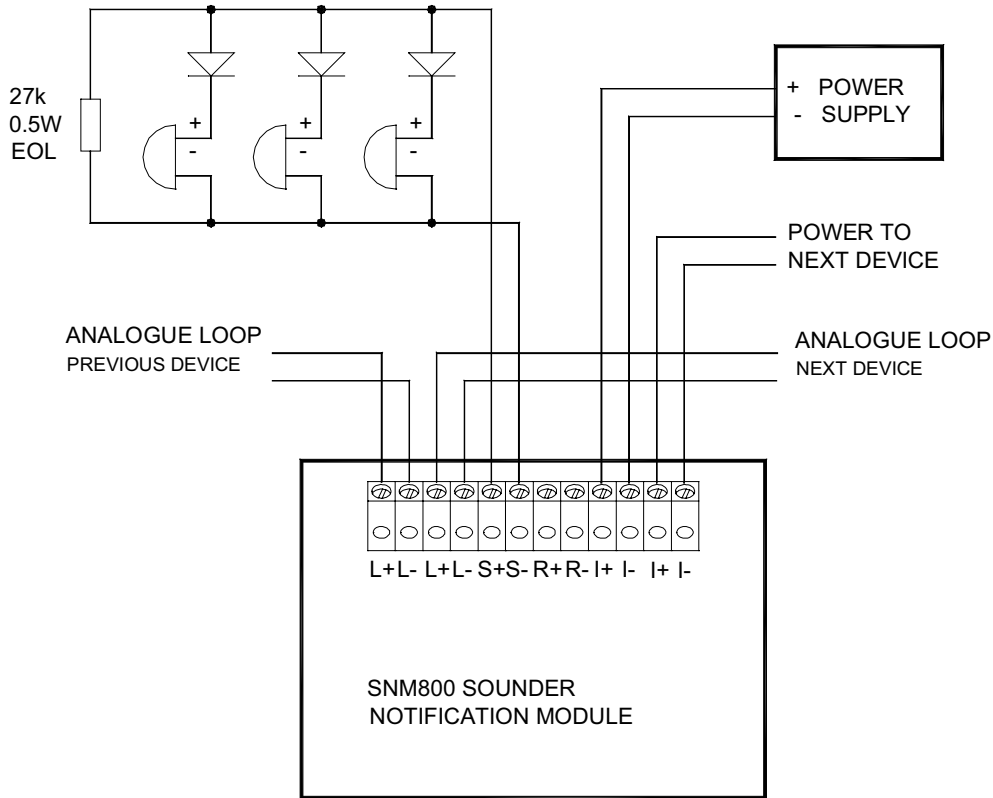
1. Addressable loop voltage provided by MX CIE.

2. Output current is for a resistive load.

3. MX4428/MX1; 4100ESi. Refer to appropriate CIE manual for design specifications.

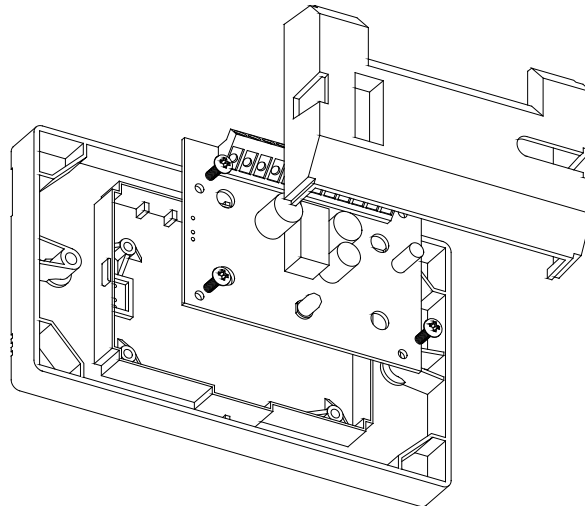
Wiring

The SNM800 load wiring must be electrically isolated from all other equipment (including other *MX* devices) when the SNM800 output is not operated. The R+ and R- terminals must be left unconnected.



Mounting

SNM800 fitted to M520 Cover.



Australia

Tyco Fire Protection Products

Level 3, 95 Coventry Street

Southbank VIC 3006

Tel : 1300 725 688

Tel : +61 3 9313 9700

Email : tfppcustservice.au@tycofp.com

New Zealand

Tyco Fire Protection Products

17 Mary Muller Drive

Hillsborough PO Box 19-545

Woolston Christchurch 8241

Tel : +64 9 635 0760

Email : tsp.sales.nz@tycoint.com

Copyright © 2016 Tyco Australia Group Pty Limited. All rights reserved. Tyco reserves the right to make changes to any aspect of this publication at any time without notice. VIGILANT is a trademark of Tyco New Zealand Limited or its affiliates; SIMPLEX is a trademark of ADT Services GmbH or its affiliates; *MX TECHNOLOGY* is a trademark of Thorn Security Limited or its affiliates; TYCO is a trademark of Tyco International Services GmbH. SNM800datTFPP1609